



**IELS** | INTELLIGENT  
EDISON  
LIGHTING  
SYSTEM

*Edison*



# INTELLIGENT EDISON LIGHTING SYSTEM

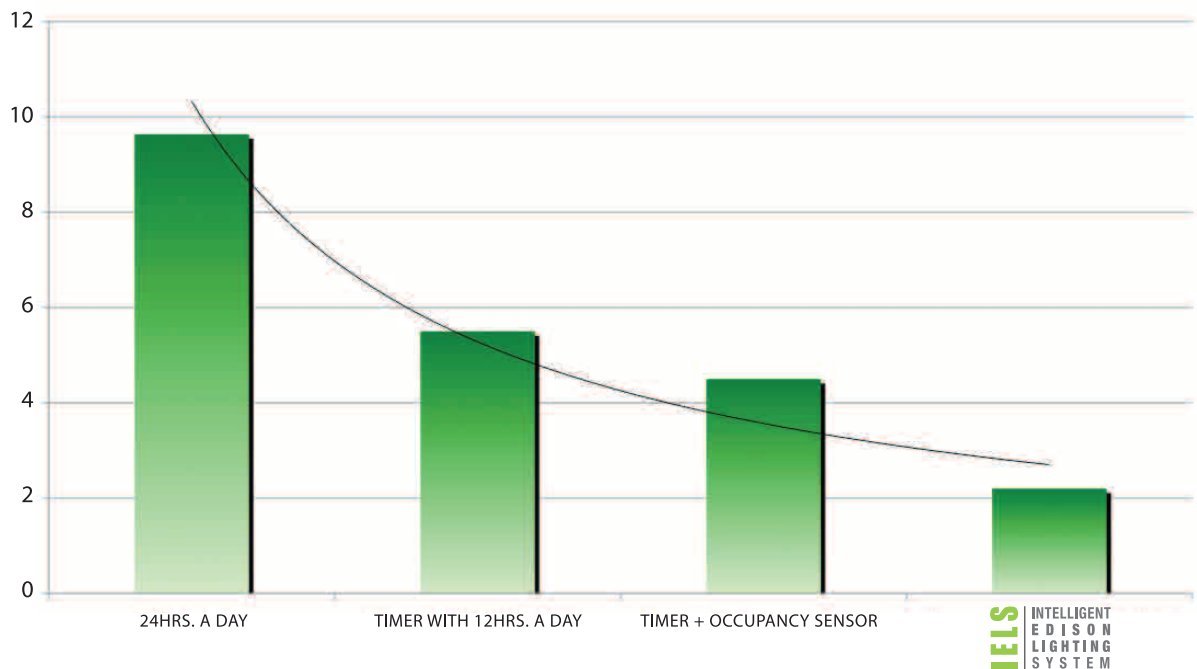
IELS integrates Niagara<sup>AX</sup> framework and DALI into a highly flexible lighting management system. Using an open and non-proprietary platform allows for ease of maintenance and future upgrades without proprietary restrictions or control.

## DALI Digital Addressable Lighting Interface

DALI is an International standard for lighting control systems which allows for simplified, digital communication that is tailored to meet the changing demands of the lighting industry through collaboration of the leading manufacturers of lighting equipment.

Electrical engineers, architects, specifiers and end users are assured of uniform interface parameters where DALI approved components using DALI protocols and control modules from different manufacturers are interchangeable. This provides security of supply from multiple manufacturers, assures compatibility and means different modules can be selected based on their features. This compatibility increases the variety of light sources which can be controlled by DALI.

### Typical Commercial Building Example Energy Consumption in kWh/sq.ft.



## INSTALLATION

- CVS file import for quick DALI network installation
- Free topology for flexible floor planning
- Simple wiring of control lines

## CONTROL

- Control by individual units or groups
- Simple configuration and reconfiguration of zones and areas
- Automatic or manual "address assignment" of DALI devices
- Ability to control scenes and lighting effects

## MULTIPLE LOCATIONS

- Hierarchical management of multiple locations
- Occupancy monitoring and custom profiles for multiple locations including dimming, ON/OFF modes, schedules and action delays

## DAYLIGHT HARVESTING

- Algorithms designed specifically to reduce the use of artificial lighting in the building interiors when natural daylight is available

## INTEGRATED MAINTENANCE MANAGEMENT

- Instant monitoring of all DALI enabled devices with features such as runtime, failure notifications and history.

## INTEGRATION

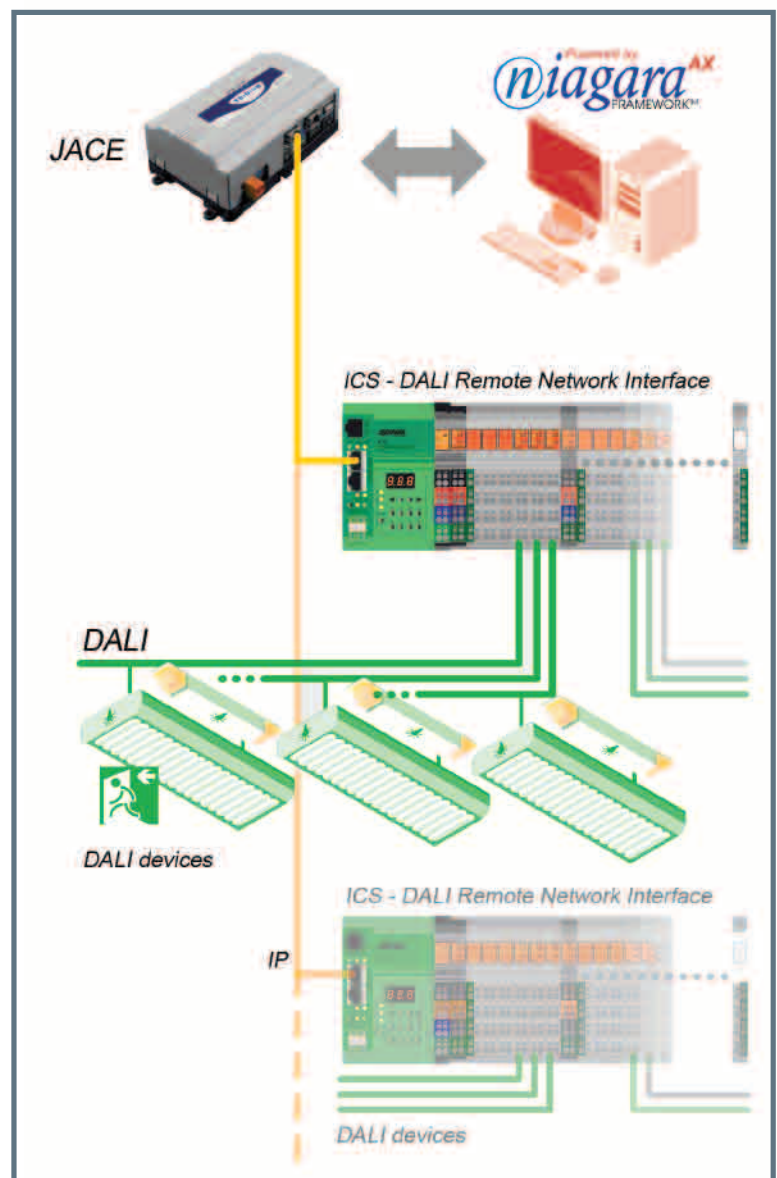
- Ability to integrate into existing building management systems using industry standard protocols such as LonWorks, BACnet, OPC, Modbus, oBIX
- Fully compatible with audio visual systems

## EMERGENCY LIGHTING

- Options for emergency lighting can be specified

## REPORTING & ENERGY CONSUMPTION

- Ability to monitor energy consumption using comprehensive choice of predefined or custom reports



# REINVENT LIGHT

## Edison Lighting Group Ltd.

1303 Ringwell Dr. Unit#2,  
Newmarket, ON L3Y 8T9

TEL: 905-830-0339    1-800-667-9281  
FAX: 905-898-6439    1-800-667-9302

[www.edisonlighting.ca](http://www.edisonlighting.ca)

 **SOLMATIC**  
INTEGRATOR