
**FEATURES:**

- ✓ Architectural luminaire with direct distribution.
- ✓ Light source: LED board or LED strip.
- ✓ Even illumination is provided by a high-efficiency opal lens.
- ✓ Suitable for surface-mounted, suspended, and recessed installations.
- ✓ Extruded aluminium body comes with a standard black or white finish.
- ✓ Also available in custom color option.
- ✓ LED strips are rated for 60,000 hrs. (L80) with 90+ CRI.
- ✓ Proven performance in office, commercial, and retail installations.
- ✓ Custom modifications are available.
- ✓ ED luminaires are certified to CSA and UL standards.

reinventlight

**SPECIFICATION:**

**ED TRIANGLE+**  -  -  -  -  -  -  -  -  -  -

Enter the Product Code into the boxes above.

**SIZE**

 \_\_\_\_\_ ft  
 2-8 ft Arm length.

**SOURCE**

- 5 W/ft
- 7 W/ft
- 10 W/ft

**RADIANCE**

- DD - Direct

**VOLTAGE**

- UNV - 120/277V
  - 347V <sup>1</sup>
1. Verify availability.

**DRIVER**

- ST - On/Off
  - DL - 0-10V Dim (1%)
  - DLO - 0-10V Dim (to Off)
  - DL2 - 0-10V Dim (TW)
  - DLA - 0-10V Dim (Aux)
  - DA4 - DALI D4i (TW)
  - CV - Constant Voltage (RGBW)
  -
- Specify dimming protocol.

**MOUNTING**

- S6B - 6ft Cord BK <sup>1</sup>
  - S6W - 6ft Cord WH <sup>1</sup>
  - S  ft <sup>2</sup>
  - SF - Surface Mount
  - RT - Recessed Trimless
1. Canopy match the Cord color.  
2. Specify Suspension length/color.

**LENS**

- OP - Opal

**FINISH**

- BK - Black<sup>1</sup>
  - WH - White<sup>2</sup>
  - CF/RAL
1. RAL 9005  
2. RAL 9016  
Specify required RAL number.

**CCT**

- 30K - 3000 Kelvin/90CRI
  - 35K - 3500 Kelvin/90CRI
  - 40K - 4000 Kelvin/90CRI
  - RGBW <sup>1</sup>
  - TW - Tunable White (27K-65K)<sup>2</sup>
  -
1. Available with DMX or CB.  
2. Available with DL2, DA4 or CB.  
Specify required CCT.

**OPTIONS**

- No Options<sup>1</sup>
  - EC - Emergency Circuit
  - CB - Casambi Bluetooth (TW, RGBW)
  - DMX - DMX (RGBW)
  - AWN - Athena Wireless Node (DLA)
1. Leave empty.

**LUMEN OUTPUT W/ft:**

| Watts | 30K     | 35K     | 40K     |
|-------|---------|---------|---------|
| 5 W   | 515 lm  | 525 lm  | 535 lm  |
| 7 W   | 720 lm  | 735 lm  | 750 lm  |
| 10 W  | 1030 lm | 1050 lm | 1080 lm |

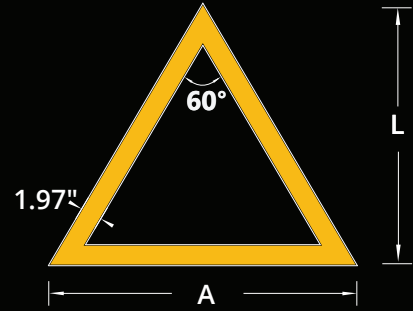
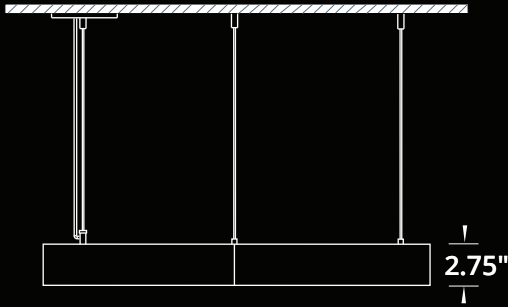


Declare.

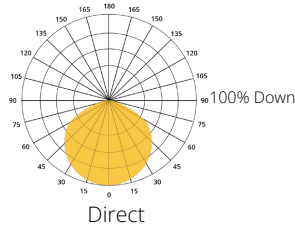
Project:

Type:

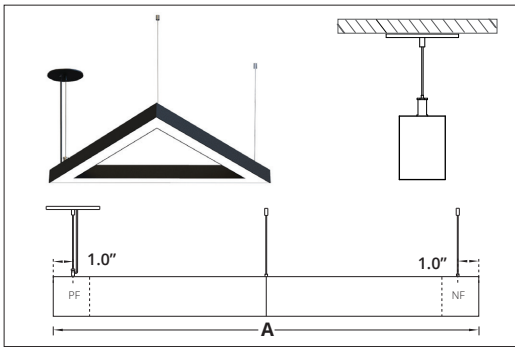
## SIZE:



## RADIANCE:



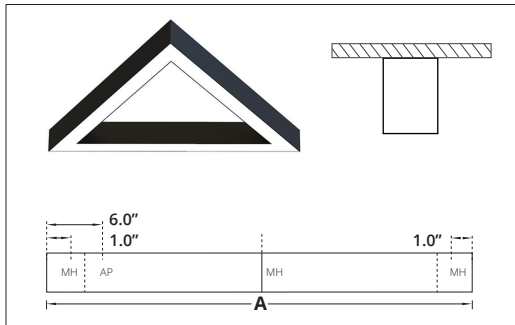
## MOUNTING:



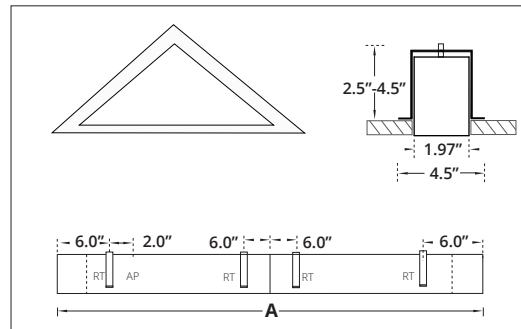
**SUSPENDED**  
 PF - Power Feed  
 NF - Non Power Feed

| Size | A        | L x A <sup>1</sup> |
|------|----------|--------------------|
| 2 ft | 27.59 in | 24.13 x 27.60      |
| 3 ft | 38.86 in | 33.65 x 38.86      |
| 4 ft | 51.61 in | 44.70 x 51.61      |
| 5 ft | 62.61 in | 54.22 x 62.61      |
| 6 ft | 75.36 in | 65.26 x 75.36      |
| 7 ft | 86.36 in | 74.80 x 86.36      |
| 8 ft | 99.11 in | 85.83 x 99.11      |

A - Arm Length  
 L - Total Length  
 1. All dimensions are in Inches.



**SURFACE MOUNT**  
 AP - Access Power Plate  
 MH - Mounting Hole



**RECESSED TRIMLESS**  
 AP - Access Power Plate  
 RT - Recessed Trimless Bracket  
 Cutout Dimensions = Total Length x Width of Extrusion.