

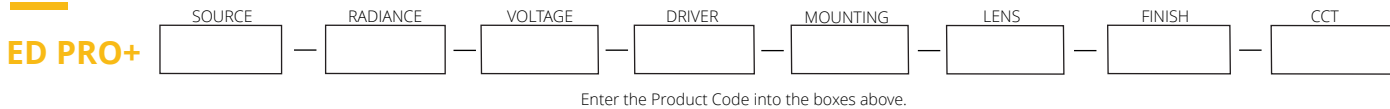


**FEATURES:**

- ✓ Architectural luminaire with direct lighting distribution.
- ✓ Light source: COB LED.
- ✓ Low glare opal lens is built in to the integral specular reflector for even light distribution.
- ✓ Steel body of the luminaire with integral driver.
- ✓ Available with matt black or white finish.
- ✓ LED Spot is rated for 60,000hrs. L70 with +90 CRI.
- ✓ Suitable for suspended installation.
- ✓ Has a proven record in office, commercial applications.
- ✓ Custom modifications are available.
- ✓ ED luminaires are certified to CSA and UL Standards.

reinventlight

**SPECIFICATION:**



**SOURCE**

- 10W LED
- 20W LED
- 30W LED

**RADIANCE**

- DD - Direct (100%Down)
- \*Light Distribution.

**VOLTAGE**

- 120V
  - 277V
  - 347V\*
- \*Not available for all configurations.

**DRIVER**

- ST - Standard (Non-Dimming)
  - DL - 0-10V Dimming (1%)
  - DA - DALI
  - \*
- \* Please specify dimming method.

**MOUNTING**

- S4-Suspension 4Feet
- S6-Suspension 6Feet
- S  Feet\*
- SF - Surface Mount

\*Please specify required Length.

**LENS**

- OP - Opal
- PR - Prismatic

**FINISH**

- BK - Black
- WH - White

**CCT**

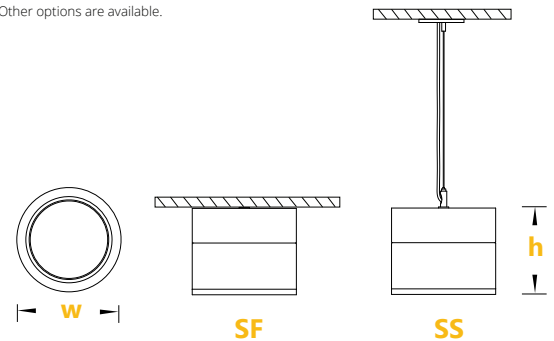
- 30K - 3000Kelvin/90CRI
  - 35K - 3500Kelvin/90CRI
  - 40K - 4000Kelvin/90CRI
- \*Other options are available.

**DIMENSIONS:**

Height	Width
5.56"	7.50"

**LUMEN OUTPUT:**

Watts	30K	35K	40K
10W	975lm	1000 lm	1025 lm
20W	1950 lm	2000 lm	2050 lm
30W	2950 lm	3000 lm	3075 lm



Project:

Type: