

FEATURES:

- ✓ Architectural luminaire with direct distribution.
- ✓ Light source: LED board.
- ✓ Diffused illumination is provided by a high efficiency frosted opal lens.
- ✓ Sleek body of the luminaire combines two aluminum sides with a laser cut metal top enclosure. Suitable for suspended and surface-mounted installations.
- ✓ Extruded aluminum body comes with a black or white finish.
- ✓ Also available in custom color options.
- ✓ LED strips are rated for 60,000 hrs. L80 with +90 CRI.
- ✓ Has a proven record in office, commercial and retail installations.
- ✓ Custom modifications are available.
- ✓ ED luminaires are certified to CSA and UL standards.

reinventlight

SPECIFICATION:

ED CURVE+ - - - - - - - - - -

Enter the Product Code into the boxes above.

SIZE

- 3 ft

SOURCE

- 20 W
- 30 W
- 40 W

RADIANCE

- DD - Direct

VOLTAGE

- UNV - 120/277V
 - 347V ¹
1. Verify availability.

DRIVER

- ST - On/Off
 - DL - 0-10V Dim (1%)
 - DLO - 0-10V Dim (to Off)
 - DL2 - 0-10V Dim (TW)
 - DLA - 0-10V Dim (Aux)
 - DA4 - DALI D4i (TW)
 - CV - Constant Voltage (RGBW)
 -
- Specify dimming protocol.

MOUNTING

- S6B - 6 ft Canopy BK¹
 - S6W - 6 ft Canopy WH¹
 - S ft
 - SF - Surface Mount
1. Canopy match the Cord color. Specify Suspension length.

LENS

- OP - Opal

FINISH

- BK - Black¹
 - WH - White²
 - CF/RAL
1. RAL 9005
2. RAL 9003
Specify required RAL number.

CCT

- 30K - 3000 Kelvin/90CRI
 - 35K - 3500 Kelvin/90CRI
 - 40K - 4000 Kelvin/90CRI
 - RGBW¹
 - TW - Tunable White (27K-65K)²
 -
1. Available with DMX or CB.
2. Available with DL2, DA4 or CB.
Specify required CCT.

OPTIONS

- No Options¹
 - EC - Emergency Circuit
 - CB - Casambi Bluetooth(TW, RGBW)
 - DMX - DMX (RGBW)
 - AWN - Athena Wireless Node (DLA)
1. Leave empty.

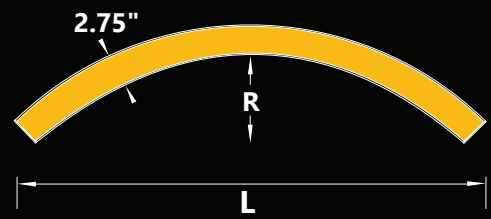
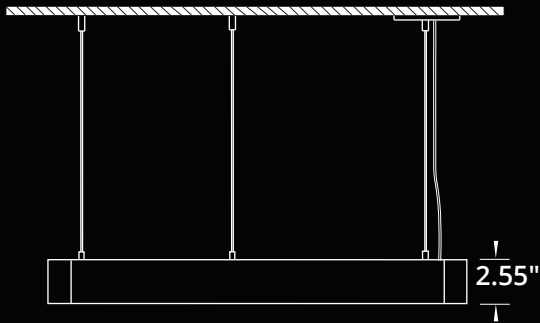
LUMEN OUTPUT:

Watts	30K	35K	40K
20 W	2070 lm	2125 lm	2180 lm
30 W	3065 lm	3150 lm	3235 lm
40 W	4086 lm	4200 lm	4313 lm

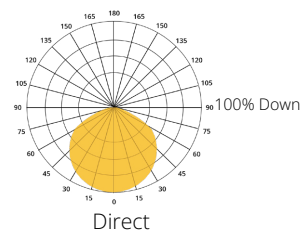


Project:

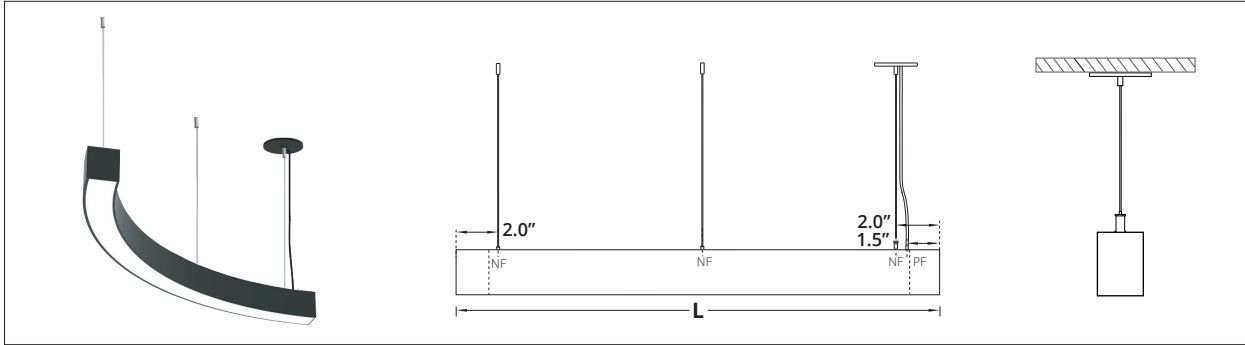
Type:



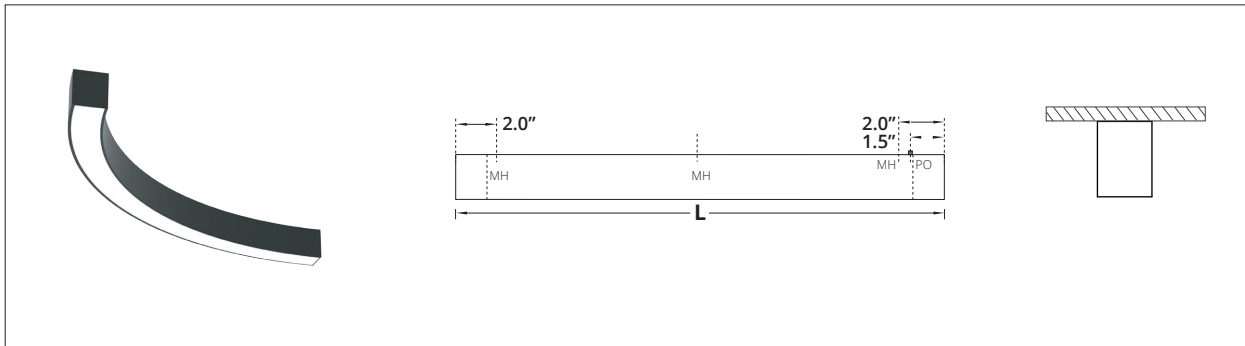
RADIANCE:



Radius	30.00 Inch
Length - L	40.00 Inch



SUSPENDED
 PF - Power Feed
 NF - Non Power Feed



SURFACE MOUNT
 PO - Power Opening
 MH - Mounting Hole