
**FEATURES:**

- ✓ Architectural linear luminaire with direct distribution.
- ✓ Light source: 11" LED modular board.
- ✓ Dark Optic provides superior lighting distribution with precise low-glare illumination.
- ✓ Offered with Flood 50°/10UGR, Wide 80°/15UGR or Asymmetric beam angle.
- ✓ Available for row-mounted installations in various lengths.
- ✓ Suitable for recessed installation into drywall or T-Bar.
- ✓ Extruded aluminum body comes with a black or white finish.
- ✓ Also available with custom color options.
- ✓ LEDs are rated for 60,000 hrs. L80 with +90 CRI.
- ✓ Has a proven record in office, commercial and retail installations.
- ✓ Custom modifications are available.
- ✓ ED luminaires are certified to CSA and UL standards. **reinventlight**

**SPECIFICATION:**

**ED VECTOR+**  -  -  -  -  -  -  -  -  -  -  -  -

Enter the Product Code into the boxes above.

<b>TYPE</b> <input type="checkbox"/> DO - Dark Optic	<b>SIZE</b> <input type="text"/> Ft* <small>* 1 Ft increments only.</small>	<b>SOURCE</b> <input type="checkbox"/> 3 W/FT <input type="checkbox"/> 5 W/FT <input type="checkbox"/> 8 W/FT	<b>RADIANCE</b> <input type="checkbox"/> DD - Direct (100%Down) <small>*Light distribution.</small>	<b>VOLTAGE</b> <input type="checkbox"/> UNV - (120/277V) <input type="checkbox"/> 347V* <small>*Not available for all configurations.</small>	<b>DRIVER</b> <input type="checkbox"/> ST - On/Off <input type="checkbox"/> DL - 0-10V Dim (1%) <input type="checkbox"/> DLO - 0-10V Dim (to Off) <input type="checkbox"/> DA4 - DALI D4i <input type="checkbox"/> EM - Emergency Driver* <input type="checkbox"/> <input type="text"/> ** <small>*Battery Pack min. 4 Ft section. **Specify dimming protocol.</small>
<b>MOUNTING</b> <input type="checkbox"/> RS - Recessed <input type="checkbox"/> RB - Recessed T-Bar	<b>BEAM</b> <input type="checkbox"/> BF - Flood 50° <input type="checkbox"/> BW - Wide 80° <input type="checkbox"/> BA - Asymmetric	<b>REFLECTOR</b> <input type="checkbox"/> SB - Black <input type="checkbox"/> SW - White <input type="checkbox"/> SR - Red <input type="checkbox"/> SL - Silver <input type="checkbox"/> SG - Gold <input type="checkbox"/> SM - Gunmetal	<b>FINISH</b> <input type="checkbox"/> BK - Black* <input type="checkbox"/> WH - White** <input type="checkbox"/> CF/RAL <input type="text"/> *** <small>*RAL 9005 **RAL 9016 ***Specify required RAL number.</small>	<b>CCT</b> <input type="checkbox"/> 30K - 3000 Kelvin/90CRI <input type="checkbox"/> 35K - 3500 Kelvin/90CRI <input type="checkbox"/> 40K - 4000 Kelvin/90CRI <input type="checkbox"/> <input type="text"/> * <small>*Specify required CCT.</small>	<b>OPTIONS</b> <input type="checkbox"/> No Options* <input type="checkbox"/> CB - Casambi/Bluetooth <input type="checkbox"/> <input type="text"/> ** <small>*Leave empty. **Specify required option.</small>

**LUMEN OUTPUT W/Ft:**

Watts	30K	35K	40K
3W	395 lm	405 lm	415 lm
5W	660 lm	675 lm	690 lm
8W	1050 lm	1080 lm	1130 lm



**Project:**

**Type:**

## SIZE:



Size	L	L1(T-BAR)
1 Ft	11.12 In	11.75 In
2 Ft	22.12 In	23.75 In
3 Ft	33.12 In	35.75 In
4 Ft	48.00 In	47.75 In
5 Ft	59.00 In	59.75 In
6 Ft	71.75 In	71.75 In
7 Ft	82.75 In	83.75 In
8 Ft	95.50 In	95.75 In

\*Total length with endcaps = L + 0.22"

\*\*Extrusion length included filler plate.

\*\*\*1-3 Ft, no filler plate requires.

\*\*\*\*4-8 Ft, filler plates at the end.

\*\*\*\*\*Continuous Run, filler plates in between & at the end.

\*\*\*\*\*For T-Bar installation with filler plates, L1 is the entire length with trim.

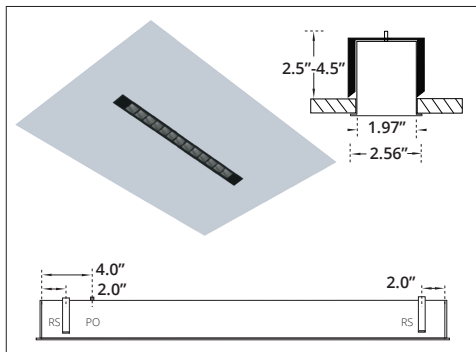
## CONTINUOUS RUN:



## RADIANCE:



## MOUNTING:

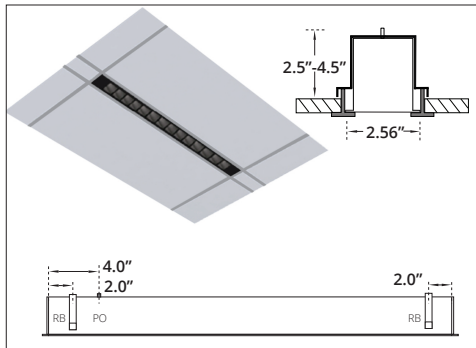


### RECESSED

RS - Recessed Bracket

PO - Power Opening

\*Cutout Dimensions = Total Length x Width of Extrusion.

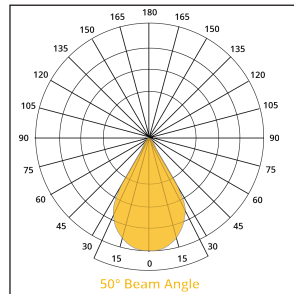


### RECESSED T-BAR

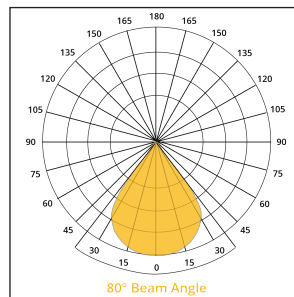
RB - Recessed T-BAR Bracket

PO - Power Opening

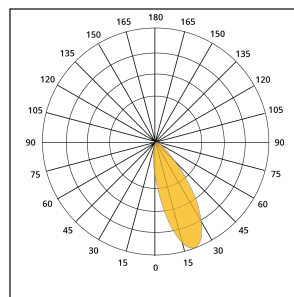
## BEAM:



### FLOOD BEAM



### WIDE BEAM



### ASYMMETRIC BEAM

## REFLECTORS:

### SQUARE



### WHITE



### SILVER



### BLACK



### GOLD



### RED



### GUNMETAL