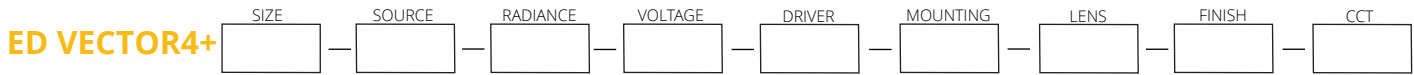

FEATURES:

- ✓ Architectural linear luminaire with direct distribution.
- ✓ Light source: LED board (5.5"/11"/22"/24").
- ✓ Diffused illumination is provided by regressed opal lens.
- ✓ Available for row mounted installations in various lengths.
- ✓ Suitable for recessed, recessed T-Bar installations.
- ✓ Extruded aluminum body comes in white, black or grey finish.
- ✓ Also available with various custom color options.
- ✓ LED Strips are rated for 60,000hrs. L80 with +90 CRI.
- ✓ Has a proven record in office, commercial and retail installations.
- ✓ Custom modifications are available.
- ✓ ED luminaires are certified to CSA and UL Standards.

reinventlight

SPECIFICATION:


Enter the Product Code into the boxes above.

SIZE

_____ Feet

SOURCE

- 5W/Ft LED
- 7W/Ft LED
- 10W/Ft LED

RADIANCE

- DD - Direct (100%Down)
*Light Distribution.

VOLTAGE

- 120V
 - 277V
 - 347V*
- *Not available for all configurations.

DRIVER

- ST - Standard (Non-Dimming)
- DL - 0-10V Dimming (1%)
- DA - DALI
- BT - Bluetooth
- *
- EC - Emergency Circuit
- EM - Emergency**

* Please specify dimming method.
**Battery Pack per 4Feet section.

MOUNTING

- RS - Recessed
- RB - Recessed T-Bar

LENS

- OR - Opal Regressed

FINISH

- WH - White
- BK - Black
- GR - Grey
- CF - Custom RAL#

CCT

- 30K - 3000Kelvin/90CRI
- 35K - 3500Kelvin/90CRI
- 40K - 4000Kelvin/90CRI
- RGBW
- TW - Tunable White**
(2700K-6500K)

*Other options are available.
**Available with 0-10V,Dali or Bluetooth controls.

OPTIONS

- No Options*
- DR - Damp Rated
- DOS - Daylight & Occupancy Sensor

*Leave Empty.
**Combination example (DR/DOS).

LUMEN OUTPUT W/Ft:

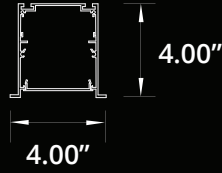
Watts	30K	35K	40K
5W	515 lm	525 lm	535 lm
7W	720 lm	735 lm	750 lm
10W	1030 lm	1050 lm	1080 lm



Project:

Type:

SIZE:



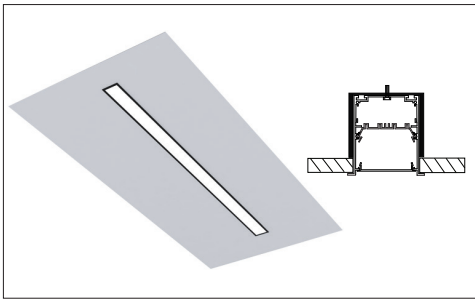
Size	L(CUTOUT)	L1(T-BAR)
1 Foot	11.825 Inch	11.75 Inch
2 Feet	24.575 Inch	23.75 Inch
3 Feet	35.572 Inch	35.75 Inch
4 Feet	48.322 Inch	47.75 Inch
5 Feet	59.325 Inch	59.75 Inch
6 Feet	72.075 Inch	71.75 Inch
7 Feet	83.075 Inch	83.75 Inch
8 Feet	95.822 Inch	95.75 Inch

RADIANCE:

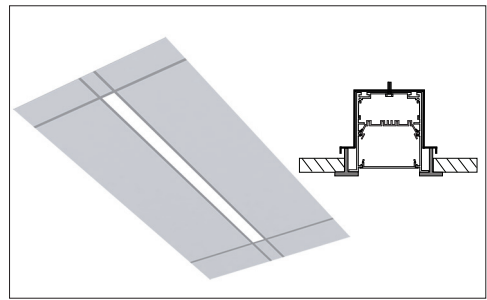
DIRECT DISTRIBUTION



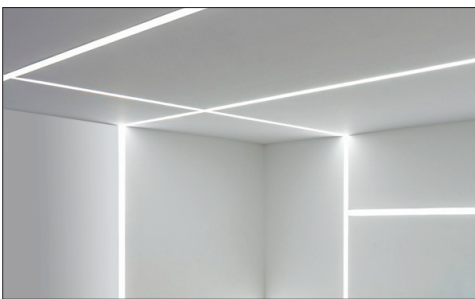
MOUNTING:



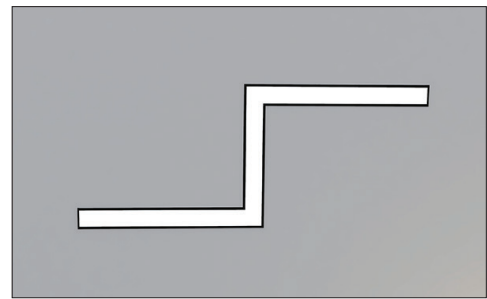
RECESSED



RECESSED T-BAR



90° IN (WALL TO CEILING)



90° LEFT/90° RIGHT