


**FEATURES:**

- ✓ Architectural luminaire with direct-indirect distribution.
- ✓ Light source: LED tape.
- ✓ Diffused illumination is provided by a high-efficiency frosted opal lens.
- ✓ Sleek body of the luminaire is made from curved aluminum profile.
- ✓ Suitable for suspended and surface-mounted installations.
- ✓ Extruded aluminum body comes with a black or white finish.
- ✓ Remote driver is mounted in round ceiling canopy or optional rectangle enclosure.
- ✓ LED tape is rated for 50,000 hrs. L80 with +90 CRI.
- ✓ Proven performance in office, commercial and retail installations.
- ✓ Custom modifications are available.
- ✓ ED luminaires are certified to CSA and UL standards.

reinventlight

**SPECIFICATION:**

**ED ORBIT+**  —  —  —  —  —  —  —  —  —  —

Enter the Product Code into the boxes above.

**SIZE**

- 2 ft
- 3 ft
- 4 ft

**SOURCE**

- 25 W
  - 50 W
  - 75 W<sup>1</sup>
1. Available for 4 ft.  
2. Other Wattages are available.

**RADIANCE**

- IL - Inner Lit<sup>1</sup>
  - OL - Outer Lit<sup>2</sup>
1. 100% Inward  
2. 100% Outward

**VOLTAGE**

- UNV - 120/277V
  - 347V<sup>1</sup>
1. Verify availability.

**DRIVER**

- ST - On/Off
  - DL - 0-10V Dim (1%)
  - DLO - 0-10V Dim (to Off)
  - DL2 - 0-10V Dim (TW)
  - DLA - 0-10V Dim (Aux)
  - DA4 - DALI D4i (TW)
  - CV - Constant Voltage (RGBW)
  -
- Specify dimming protocol.

**MOUNTING**

- C6B - 6 ft Canopy BK<sup>1</sup>
- C6W - 6 ft Canopy WH<sup>1</sup>
- C  ft<sup>2</sup>
- D6B - Drop 6 ft BK<sup>1</sup>
- D6W - Drop 6 ft WH<sup>1</sup>
- D  ft<sup>2</sup>
- S6B - 6 ft Cord BK
- S6W - 6 ft Cord WH
- S  ft<sup>2</sup>
- SF - Surface Mount

1. Canopy & Drop Suspensions are only available in standard sizes.  
2. Please specify required length.

**LENS**

- OP - Opal

**FINISH**

- BK - Black<sup>1</sup>
  - WH - White<sup>2</sup>
  - CF/RAL
1. RAL 9005  
2. RAL 9003  
Specify required RAL number.

**CCT**

- 30K - 3000 Kelvin/90CRI
  - 35K - 3500 Kelvin/90CRI
  - 40K - 4000 Kelvin/90CRI
  - RGBW<sup>1</sup>
  - TW - Tunable White (27K-65K)<sup>2</sup>
  -
1. Available with DMX or CB.  
2. Available with DL2, DA4 or CB.  
Specify required CCT.

**OPTIONS**

- No Options<sup>1</sup>
  - EC - Emergency Circuit
  - CB - Casambi Bluetooth (TW, RGBW)
  - DMX - DMX (RGBW)
  - AWN - Athena Wireless Node (DLA)
1. Leave empty.

**LUMEN OUTPUT:**

Watts	30K	35K	40K
25 W	2205 lm	2250 lm	2295 lm
50 W	4410 lm	4500 lm	4590 lm
75 W	6610 lm	6750 lm	6890 lm

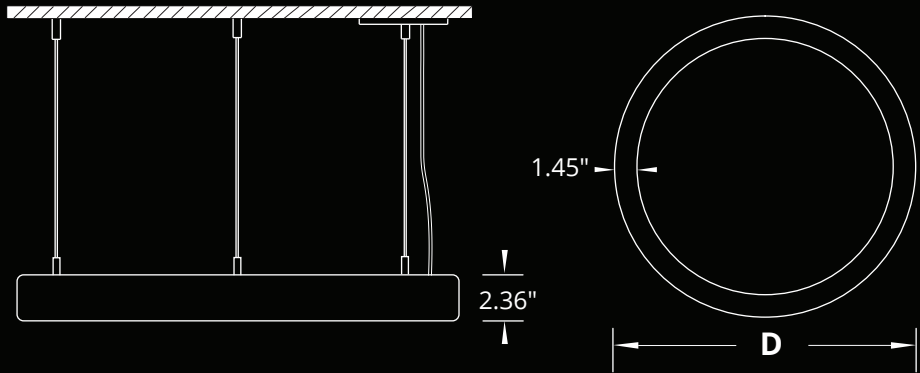


Declare.

Project:

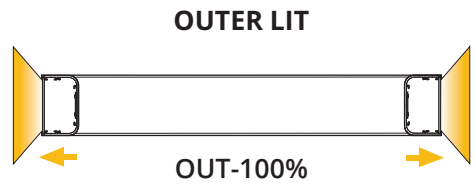
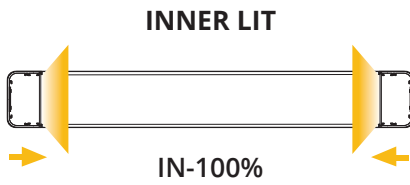
Type:

**SIZE:**

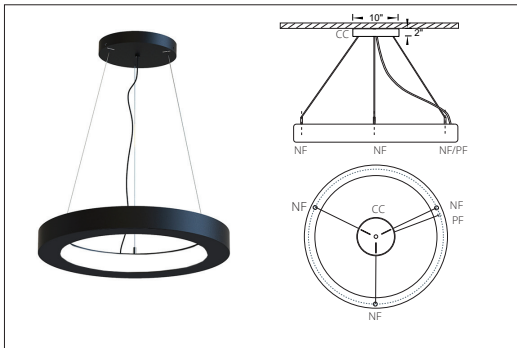


Diameter		
Size	Outer Lit	Inner Lit
2 ft	27.952 in	25.196 in
3 ft	34.250 in	37.795 in
4 ft	46.456 in	44.094 in

**RADIANCE:**

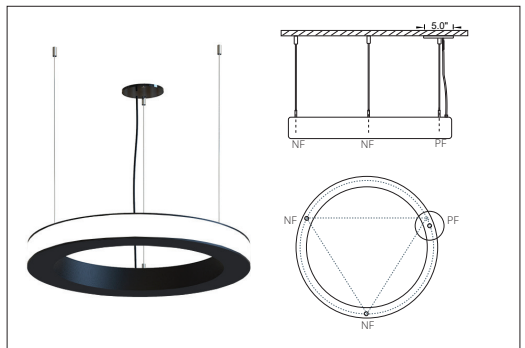


**MOUNTING:**



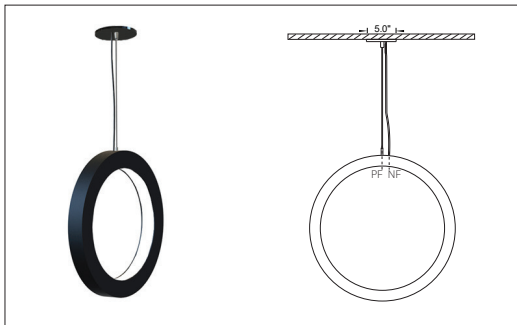
**SUSPENDED - CEILING CANOPY**

CC - Ceiling Canopy - Available for 2-3-4 ft sizes  
PF - Power Feed  
NF - Non Power Feed



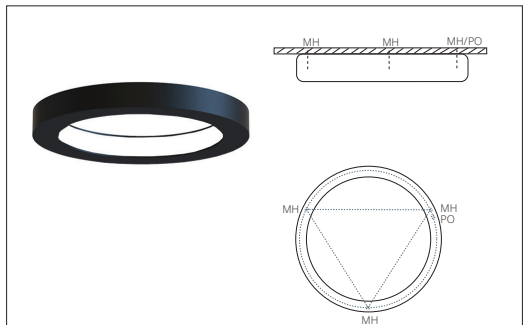
**SUSPENDED - STRAIGHT WIRE <sup>1</sup>**

PF - Power Feed  
NF - Non Power Feed  
1. Remote Driver.



**DROP SUSPENSION <sup>1</sup>**

DS - Drop Suspension - Available for 2-3-4 ft sizes  
PF - Power Feed  
NF - Non Power Feed  
1. Remote Driver.



**SURFACE MOUNT <sup>1</sup>**

PO - Power Opening  
MH - Mounting Hole  
1. Remote Driver.