


FEATURES:

- ✓ Architectural luminaire with direct or direct-indirect distribution.
- ✓ Light source: LED 5.5" board.
- ✓ Diffused illumination is provided by high-efficiency frosted opal lens.
- ✓ Sleek body of the luminaire combines two aluminum sides with laser-cut metal top enclosure.
- ✓ Suitable for suspended and surface-mounted installations.
- ✓ Extruded aluminum body comes with a black or white finish.
- ✓ Also available in custom color option.
- ✓ LEDs are rated for 60,000 hrs. L80 with +90 CRI.
- ✓ Proven performance in office, commercial and retail installations.
- ✓ Custom modifications are available.
- ✓ ED luminaires are certified to CSA and UL standards.

reinventlight
SPECIFICATION:
ED RING+

SIZE	SOURCE	RADIANCE	VOLTAGE	DRIVER	MOUNTING	LENS	FINISH	CCT	OPTIONS

Enter the Product Code into the boxes above.

SIZE

- 2 ft
 - 3 ft
 - 4 ft
 -
- Specify custom size.

SOURCE

- 25 W
 - 50 W
 - 75 W¹
1. Available for 4ft & Custom sizes.
2. Other Wattages are available.

RADIANCE

- DD - Direct
- UD - Uneven

VOLTAGE

- UNV - 120/277V
 - 347V¹
1. Verify availability.

DRIVER

- ST - On/Off
 - DL - 0-10V Dim (1%)
 - DLO - 0-10V Dim (to Off)
 - DL2 - 0-10V Dim (TW)
 - DLA - 0-10V Dim (Aux)
 - DA4 - DALI D4i (TW)
 - CV - Constant Voltage (RGBW)
 -
- Specify dimming protocol.

MOUNTING

- C6B - 6 ft Canopy BK¹
 - C6W - 6 ft Canopy WH¹
 - C ft²
 - S6B - 6 ft Cord BK¹
 - S6W - 6 ft Cord WH¹
 - S ft²
 - SF - Surface Mount
1. Canopy match the Cord color.
2. Specify Suspension length/color.
3. C - Ceiling Canopy only available for 2-3-4 ft sizes.

LENS

- OP - Opal

FINISH

- BK - Black¹
 - WH - White²
 - CF/RAL
1. RAL 9005
2. RAL 9003
Specify required RAL number.

CCT

- 30K - 3000 Kelvin/90CRI
 - 35K - 3500 Kelvin/90CRI
 - 40K - 4000 Kelvin/90CRI
 - RGBW¹
 - TW - Tunable White (27K-65K)²
 -
1. Available with DMX or CB.
2. Available with DL2, DA4 or CB.
Specify required CCT.

OPTIONS

- No Options¹
 - DC - Dual Circuit²
 - EC - Emergency Circuit
 - CB - Casambi Bluetooth(TW, RGBW)
 - DMX - DMX (RGBW)
 - AWN - Athena Wireless Node (DLA)
1. Leave empty.
2. Control Downlight/Uplight separately.

LUMEN OUTPUT:

Watts	30K	35K	40K
25 W	2205 lm	2250 lm	2295 lm
50 W	4410 lm	4500 lm	4590 lm
75 W	6610 lm	6750 lm	6890 lm

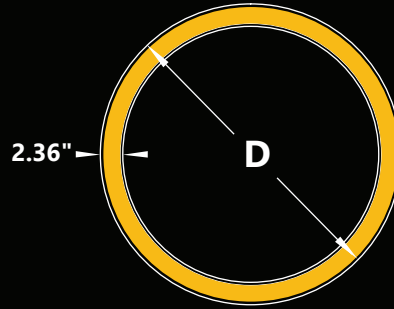
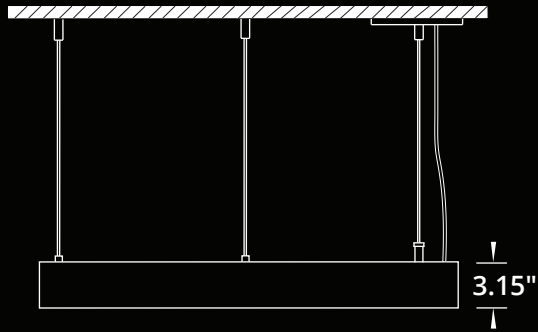


Declare.

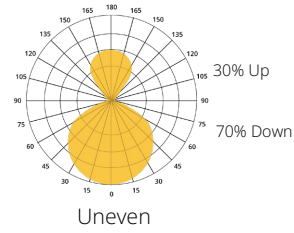
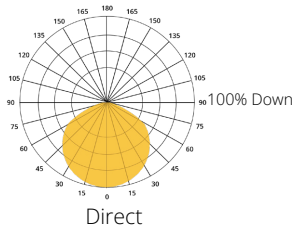
Project:

Type:

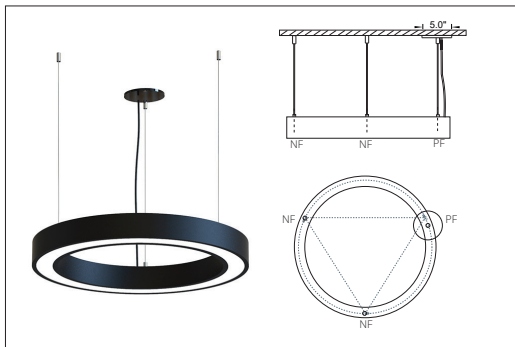
SIZE:



RADIANCE:



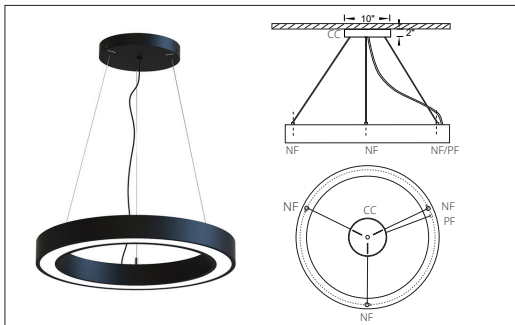
MOUNTING:



SUSPENDED - STRAIGHT WIRE

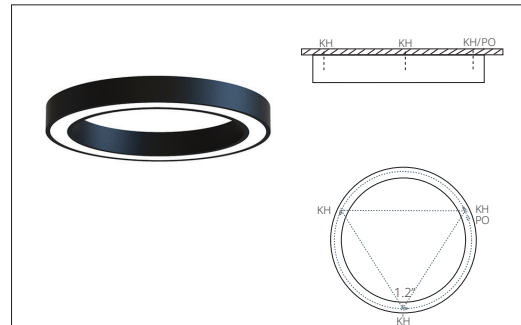
PF - Power Feed
NF - Non Power Feed

Size	Diameter
2 ft	26.10 in
3 ft	35.43 in
4 ft	47.24 in



SUSPENDED - CEILING CANOPY

CC - Ceiling Canopy - Available for 2-3-4 ft sizes
PF - Power Feed
NF - Non Power Feed



SURFACE MOUNT

PO - Power Opening
KH - Key Hole