





ABOUT US

Established in 2003, Edison Lighting Group manufactures high quality architectural luminaires with advancing technologies focusing on design, functionality and reliability. Our unique products meet all energy sustainability standards and will enhance your current and future project requirements.

Materials:

Sonic: Eco Felt Polyester

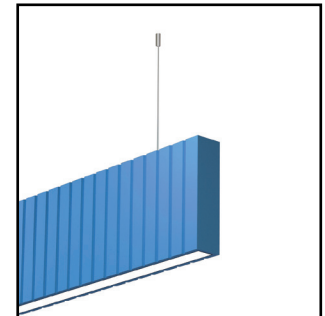
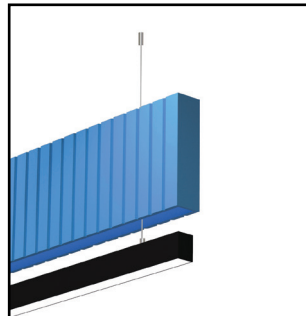
- ✓ 70% recyclable plastic with 3/8", 1/2" and 1" thicknesses.
- ✓ Non-toxic, non-allergic, UV stabilized, light weight and durable.
- ✓ Class 1 fire rated and suitable for commercial use.

SubSonic: Wool Felt

- ✓ 100% Merino Wool Designer Felt with 5/64", 1/8" and 13/34" thicknesses.
- ✓ Soft fabric, sustainable, biodegradable and free of harmful substances.
- ✓ Passes the CAN/ULC-S102 for flame spread and smoke development.

Process:

We design our acoustic products around existing luminaires in the portfolio. Our acoustic fixtures are installed and serviced as regular luminaires without compromising the light quality, efficiency and lighting distribution. This scalable approach gives us an advantage to enhance the design and shorten the lead time to customize and manufacture.





Myrcene
(Mc)
MUR-seen

CC1=CCC(CC1)C(C)C

Limonene
(Lim)
Lim-o-noon

CC1=CCC2C(C1)C(C)C2

Terpinolene
(Te)
Ter-pin-uh-teen

CC1=CC(C=C(C1)C)C(C)C

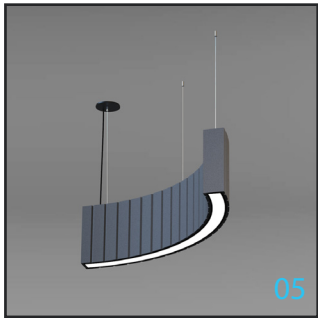
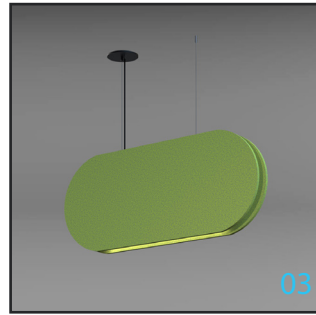
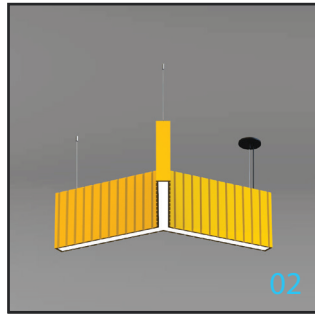
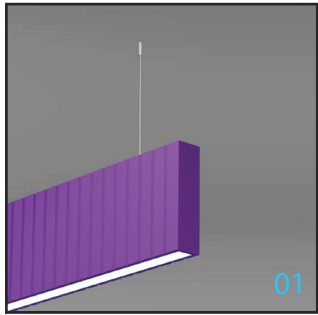
Pinene
(Pin)
Pie-nee

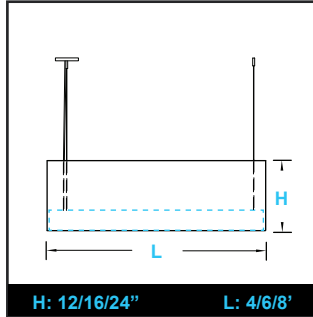
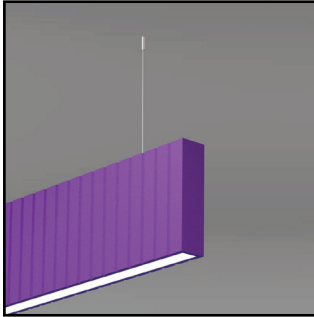
CC1=CCC2C(C1)C(C)C2

Linalool
(Lin)
Line-uh-tool

CC1=CC(C=C(C1)O)C(C)C

EXIT

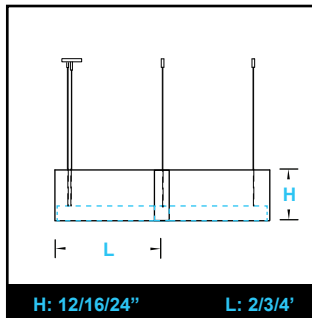
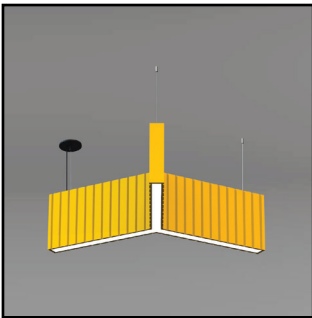




PRODUCT FEATURES

- Acoustic luminaire with direct or direct/indirect lighting distribution.
- Comes with smooth flush regular or flush V-Cut acoustic finish.
- Diffused illumination is provided by frosted opal lens.
- Available for row mounted installations in various lengths and baffle heights.
- Suitable for suspended or surface mounted installations.
- Custom finishes and modifications are available.
- 5WFT/535lm/40K, 7WFT/750lm/40K, 10WFT/1080lm/40K, +90CRI L80/60,000hrs.

SONIC TRIAD+(FV)

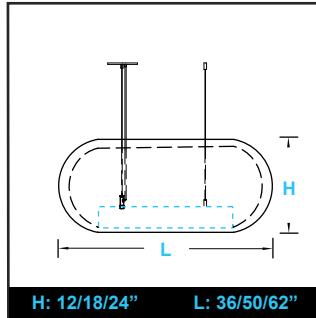
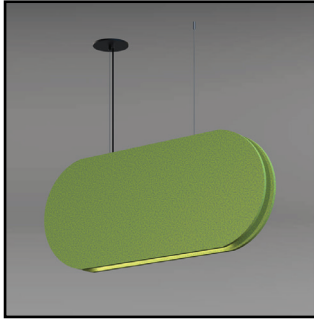


PRODUCT FEATURES

- Architectural luminaire with direct lighting distribution.
- Comes with smooth flush regular or flush V-Cut acoustic finish.
- Diffused illumination is provided by frosted opal lens.
- Available in various sizes with different baffle heights.
- Suitable for suspended or surface mounted installations.
- Custom finishes and modifications are available.
- 25W/2690lm/40K, 50W/5380lm/40k, 75W/8030lm/40K, +90CRI L80/60,000hrs.

SONIC VECTOR+(OS)

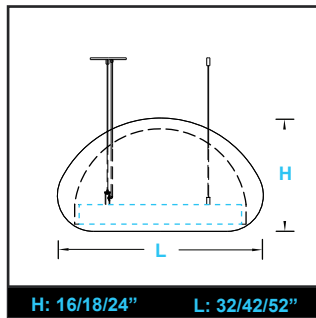
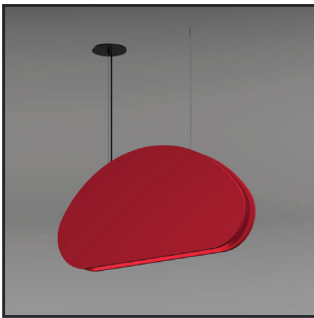
reinventlight



PRODUCT FEATURES

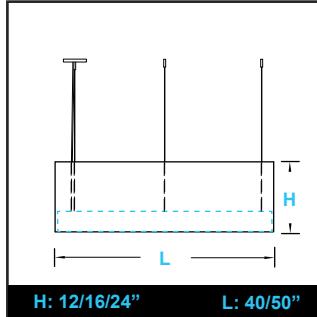
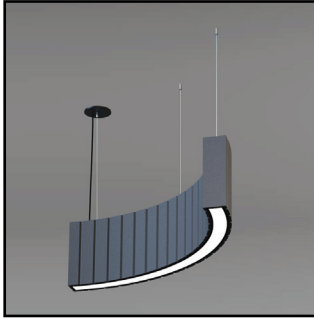
- Acoustic luminaire with direct or direct/indirect lighting distribution.
- Comes with smooth flush regular acoustic finish.
- Diffused illumination is provided by frosted opal lens.
- Available in three standard oval shape baffle sizes.
- Suitable for suspended installations.
- Custom finishes and modifications are available.
- 20W/2160lm/40K, 30W/3245lm/40K, 40W/4325lm/40K, +90CRI L80/60,000hrs.

SONIC VECTOR+(CS)

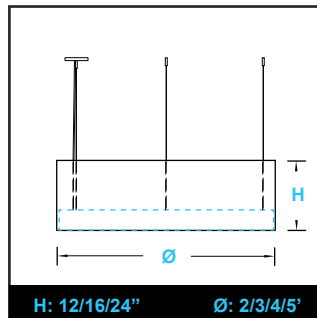


PRODUCT FEATURES

- Acoustic luminaire with direct lighting distribution.
- Comes with smooth flush regular acoustic finish.
- Diffused illumination is provided by frosted opal lens.
- Available in three standard cloud shape baffle sizes.
- Suitable for suspended installations.
- Custom finishes and modifications are available.
- 20W/2160lm/40K, 30W/3245lm/40K, 40W/4325lm/40K, +90CRI L80/60,000hrs.

**PRODUCT FEATURES**

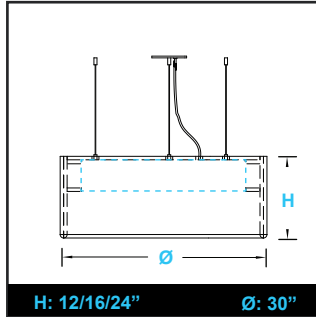
- Acoustic curved luminaire with direct lighting distribution.
- Comes with smooth flush regular or flush V-Cut acoustic finish.
- Diffused illumination is provided by frosted opal lens.
- Available in two standard sizes with various baffle heights.
- Suitable for suspended installations.
- Custom finishes and modifications are available.
- 20W/2148lm/40K, 30W/3235lm/40K, +90CRI L80/60,000hrs.

SONIC RING+(FV)**PRODUCT FEATURES**

- Acoustic round luminaire with direct lighting distribution.
- Comes with smooth flush regular or flush V-Cut acoustic finish.
- Diffused illumination is provided by frosted opal lens.
- Available in four standard sizes with various baffle heights.
- Suitable for suspended installations.
- Custom finishes and modifications are available.
- 25W/2295lm/40K, 50W/4590lm/40K, 75W/6885/40K, +90CRI L80/60,000hrs.

SONIC DRUM+(BS)

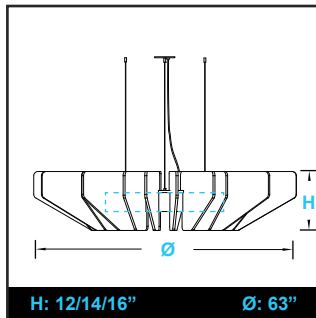
reinventlight



PRODUCT FEATURES

- Acoustic round luminaire with direct lighting distribution.
- Comes with double smooth layer acoustic finish.
- Diffused illumination is provided by frosted opal lens.
- Available in one standard size with various baffle heights.
- Suitable for suspended or surface mounted installations.
- Custom modifications are available.
- 25W/2295lm/40K, 50W/4590lm/40K, +90CRI L80/60,000hrs.

SONIC DRUM+(FS)



PRODUCT FEATURES

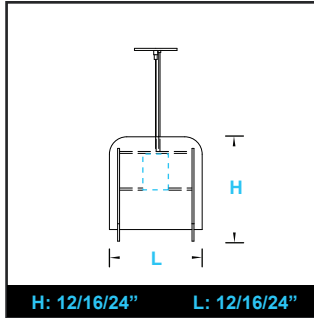
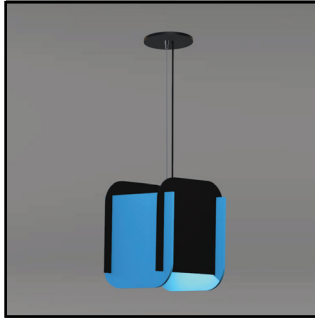
- Acoustic round luminaire with direct lighting distribution.
- Comes with removable fin shaped baffles.
- Diffused illumination is provided by frosted opal lens.
- Available in one standard size with various baffle heights.
- Suitable for suspended installations.
- Custom finishes and modifications are available.
- 25W/2295lm/40K, 50W/4590lm/40K, +90CRI L80/60,000hrs.





SONIC CUBIC+(BS)

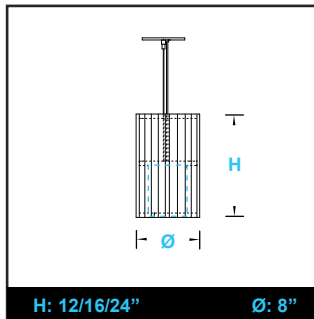
reinventlight



PRODUCT FEATURES

- Acoustic luminaire with direct lighting distribution.
- Comes with unique square shaped acoustic finish.
- High efficiency internal optic provides even illumination.
- Available in three standard sizes.
- Suitable for suspended installations.
- Custom finishes and modifications are available.
- 15W/1460lm/40K, 20W/1990lm/40K, 25W/2450lm/40K +90CRI L80/60,000hrs.

SONIC TUBE+(CS)

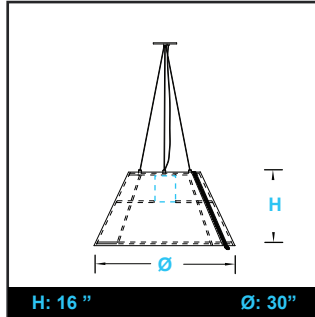


PRODUCT FEATURES

- Acoustic luminaire with direct lighting distribution.
- Comes with unique cylinder shaped V-Cut acoustic finish.
- High efficiency internal optic provides even illumination.
- Available in one standard size with various baffle heights.
- Suitable for suspended installations.
- Custom finishes and modifications are available.
- 15W/1460lm/40K, 20W/1990lm/40K, 25W/2450lm/40K +90CRI L80/60,000hrs.

SUBSONIC TUBE+(ZS)

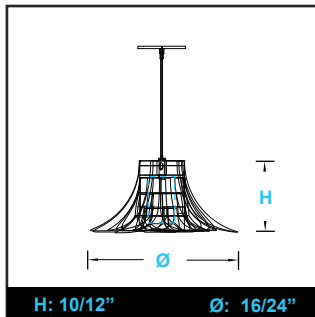
reinventlight



PRODUCT FEATURES

- Acoustic luminaire with direct lighting distribution.
- Unique wool felt shade with integrated zipper and polyester frame.
- High efficiency internal optic provides even illumination.
- Available in one standard size with various color combinations.
- Suitable for suspended installations.
- Custom finishes and modifications are available.
- 15W/1460lm/40K, 20W/1990lm/40K, 25W/2450lm/40K +90CRI L80/60,000hrs.

SUBSONIC TUBE+(FS)



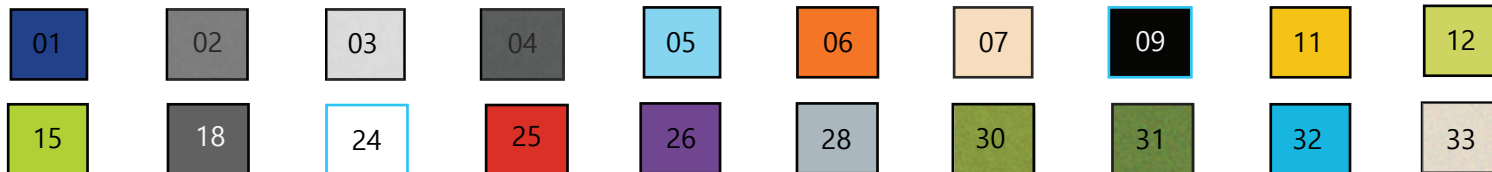
PRODUCT FEATURES

- Acoustic luminaire with direct lighting distribution.
- Unique wool felt flower shade with polyester frame.
- High efficiency internal optic provides even illumination.
- Available in two standard sizes with various color combinations.
- Suitable for suspended installations.
- Custom finishes and modifications are available.
- 15W/1460lm/40K, 20W/1990lm/40K, 25W/2450lm/40K +90CRI L80/60,000hrs.

FINISHES

reinventlight

Sonic Eco Felt Polyester Finishes



SubSonic Wool Felt Finishes



Custom Print



Custom Design



Edison Lighting Group Ltd.

1303 Ringwell Dr. Unit #2, Newmarket, ON
L3Y 8T9, Canada
Tel: 905.830.0339 1.800.667.9281
www.edisonlighting.ca info@edisonlighting.ca



reinvent**light**