
FEATURES:

- ✓ Architectural luminaire with direct distribution.
- ✓ Light source: LED board.
- ✓ Diffused illumination is provided by a high efficiency frosted opal lens.
- ✓ Sleek body of the luminaire combines two aluminum sides with a laser cut metal top enclosure. Suitable for suspended and surface-mounted installations.
- ✓ Extruded aluminum body comes with a black or white finish.
- ✓ Also available in custom color options.
- ✓ LED strips are rated for 60,000 hrs. L80 with +90 CRI.
- ✓ Has a proven record in office, commercial and retail installations.
- ✓ Custom modifications are available.
- ✓ ED luminaires are certified to CSA and UL standards.

reinventlight

SPECIFICATION:

ED CURVE+ - - - - - - - - - -

Enter the Product Code into the boxes above.

SIZE

-
- 3 ft

SOURCE

-
- 20 W
-
-
- 30 W
-
-
- 40 W

RADIANCE

-
- DD - Direct

VOLTAGE

-
- UNV - 120/277V
-
-
- 347V
- ¹
-
1. Verify availability.

DRIVER

-
- ST - On/Off
-
-
- DL - 0-10V Dim (1%)
-
-
- DLO - 0-10V Dim (to Off)
-
-
- DL2 - 0-10V Dim (TW)
-
-
- DLA - 0-10V Dim (Aux)
-
-
- DA4 - DALI D4i (TW)
-
-
- CV - Constant Voltage (RGBW)
-
-
-
-
- Specify dimming protocol.

MOUNTING

-
- S6B - 6 ft Canopy BK
- ¹
-
-
- S6W - 6 ft Canopy WH
- ¹
-
-
- S
-
- ft
-
-
- SF - Surface Mount
-
1. Canopy match the Cord color.
-
- Specify Suspension length.

LENS

-
- OP - Opal

FINISH

-
- BK - Black
- ¹
-
-
- WH - White
- ²
-
-
- CF/RAL
-
-
1. RAL 9005
-
2. RAL 9003
-
- Specify required RAL number.

CCT

-
- 30K - 3000 Kelvin/90CRI
-
-
- 35K - 3500 Kelvin/90CRI
-
-
- 40K - 4000 Kelvin/90CRI
-
-
- RGBW
- ¹
-
-
- TW - Tunable White (27K-65K)
- ²
-
-
-
-
1. Available with DMX or CB.
-
2. Available with DL2, DA4 or CB.
-
- Specify required CCT.

OPTIONS

-
- No Options
- ¹
-
-
- EC - Emergency Circuit
-
-
- CB - Casambi Bluetooth(TW, RGBW)
-
-
- DMX - DMX (RGBW)
-
-
- AWN - Athena Wireless Node (DLA)
-
1. Leave empty.

LUMEN OUTPUT:

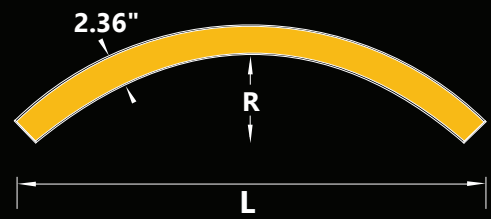
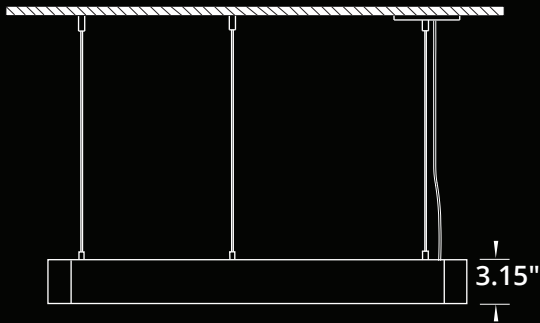
Watts	30K	35K	40K
20 W	2070 lm	2125 lm	2180 lm
30 W	3065 lm	3150 lm	3235 lm
40 W	4086 lm	4200 lm	4313 lm



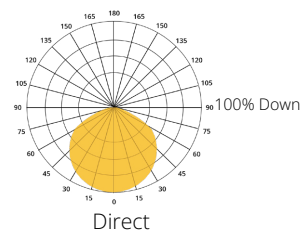
Declare.

Project:

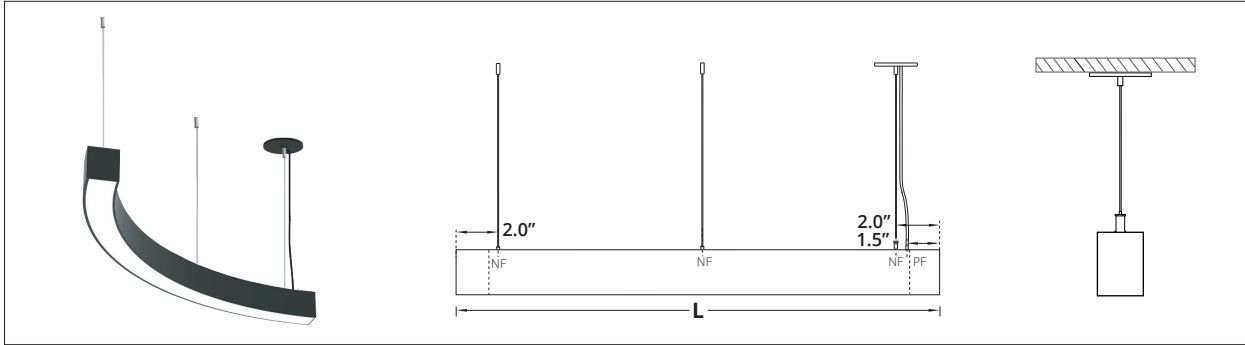
Type:



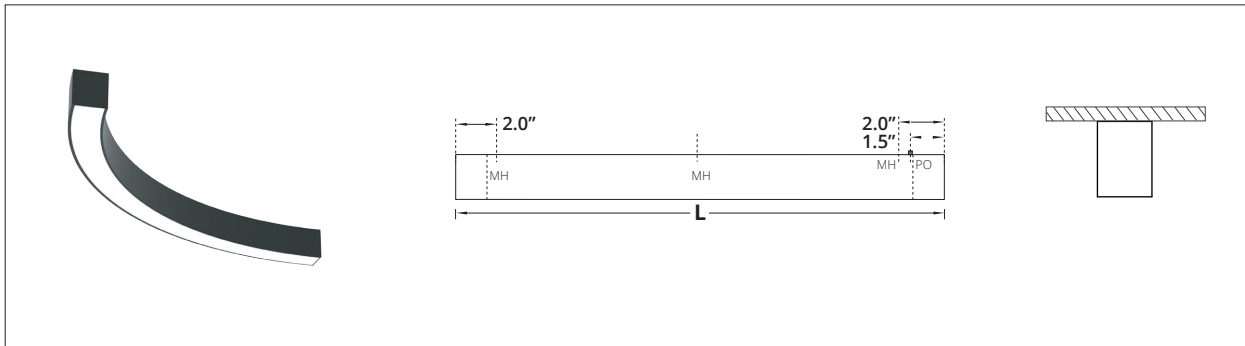
RADIANCE:



Radius	30.00 Inch
Length - L	40.00 Inch



SUSPENDED
 PF - Power Feed
 NF - Non Power Feed



SURFACE MOUNT
 PO - Power Opening
 MH - Mounting Hole