

## FEATURES:

- ✓ Architectural luminaire with direct lighting distribution.
- ✓ Light source: COB LED.
- ✓ High efficiency integral reflector combined with opal lens insert provide excellent lighting distribution.
- ✓ Square internal louver is available in a wide range of finishes.
- ✓ Aluminum body of the luminaire comes with built-in-driver.
- ✓ Suitable for surface mounted installations.
- ✓ LED Spot is rated for 60,000hrs. L80 with +90 CRI.
- ✓ Has a proven record in office, commercial and retail installations.
- ✓ Custom modifications are available.
- ✓ ED luminaires are certified to CSA and UL Standards.

reinventlight

## SPECIFICATION:

**ED CUBIX+**  TYPE x  SOURCE -  RADIANCE -  VOLTAGE -  DRIVER -  MOUNTING -  REFLECTOR -  FINISH -  CCT

Enter the Product Code into the boxes above.

### TYPE

- 1 - Single
- 2 - Double
- 3 - Triple

### SOURCE

- 5W LED
- 10W LED
- 15W LED

### RADIANCE

- DD - Direct

### VOLTAGE

- UNV - 120/277V

### DRIVER

- ST - On/Off
  - DL - 0-10V Dim (1%)
  - DA4 - DALI D4i
  -
- Specify dimming protocol.

### MOUNTING

- SF - Surface Mount

### REFLECTOR

- WH - White
- BK - Black
- SL - Silver
- GL - Gold
- RG - Rose Gold

### FINISH

- BK - Black<sup>1</sup>
  - WH - White<sup>2</sup>
1. RAL 9005  
2. RAL 9003

### CCT

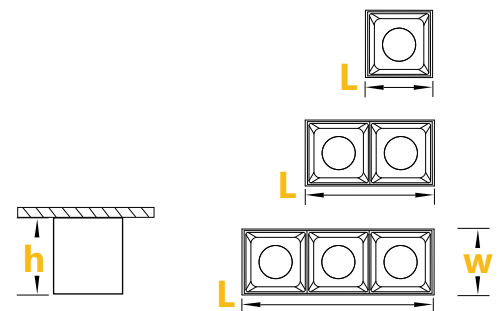
- 30K - 3000 Kelvin/90CRI
  - 35K - 3500 Kelvin/90CRI
  - 40K - 4000 Kelvin/90CRI
  -
- Specify required CCT.

## DIMENSIONS:

Unit	Length	Height	Width
Single	3.750 in	4.500 in	3.750 in
Double	7.375 in	4.500 in	3.750 in
Triple	10.937 in	4.500 in	3.750 in

## LUMEN OUTPUT:

Watts	30K	35K	40K
10 W	930 lm	950 lm	970 lm
15 W	1395 lm	1425 lm	1450 lm



Project:

Type: