
FEATURES:

- ✓ Architectural linear luminaire with direct distribution.
- ✓ Light source: LED board or LED strip.
- ✓ Even illumination is provided by a variety of high-efficiency optic lenses.
- ✓ Available for row-mounted installations in various lengths.
- ✓ Suitable for recessed applications in drywall or T-Bar ceilings.
- ✓ Extruded aluminum body comes with a standard black or white finish.
- ✓ Also available with various custom color options.
- ✓ LED strips are rated for 60,000 hrs. L80 with +90 CRI.
- ✓ Has a proven record in office, commercial and retail installations.
- ✓ Custom modifications are available.
- ✓ ED luminaires are certified to CSA and UL standards.

reinventlight

SPECIFICATION:

ED VECTOR+ — — — — — — — — — —

Enter the Product Code into the boxes above.

SIZE

 _____ ft
 1-8 ft
 Continuous Run
 (1 ft Increments)

SOURCE

- 5 W/ft
- 7 W/ft
- 10 W/ft

RADIANCE

- DD - Direct

VOLTAGE

- UNV - 120/277V
 - 347V¹
1. Verify availability.

DRIVER

- ST - On/Off
 - DL - 0-10V Dim (1%)
 - DLO - 0-10V Dim (to Off)
 - DL2 - 0-10V Dim (TW)
 - DLA - 0-10V Dim (Aux)
 - DA4 - DALI D4i
 - CV - Constant Voltage (RGBW)
 -
- Specify dimming protocol.

MOUNTING

- RS - Recessed
- RB - Recessed T-Bar

LENS

- OP - Opal
- AS - Asymmetric
- PR - Prismatic

FINISH

- BK - Black¹
 - WH - White²
 - CF/RAL
1. RAL 9005
 2. RAL 9016
 Specify required RAL number.

CCT

- 30K - 3000 Kelvin/90CRI
 - 35K - 3500 Kelvin/90CRI
 - 40K - 4000 Kelvin/90CRI
 - RGBW¹
 - TW - Tunable White (27K-65K)²
 -
1. Available with DMX or CB.
 2. Available with DL2, DA4 or CB.
 Specify required CCT.

OPTIONS

- No Options¹
 - EM - Emergency Battery Pack²
 - EC - Emergency Circuit
 - DR - Damp Rated
 - CB - Casambi Bluetooth(TW, RGBW)³
 - DMX - DMX (RGBW)
 - JD - JDRF Autonomy Sensor (DA4)³
 - DOS - Daylight & Occupancy Sensor (DLA)³
 - AWN - Athena Wireless Node (DLA)³
1. Leave empty.
 2. Battery Pack per 4 ft section.
 3. Available in sizes 4 ft and up.

LUMEN OUTPUT W/ft:

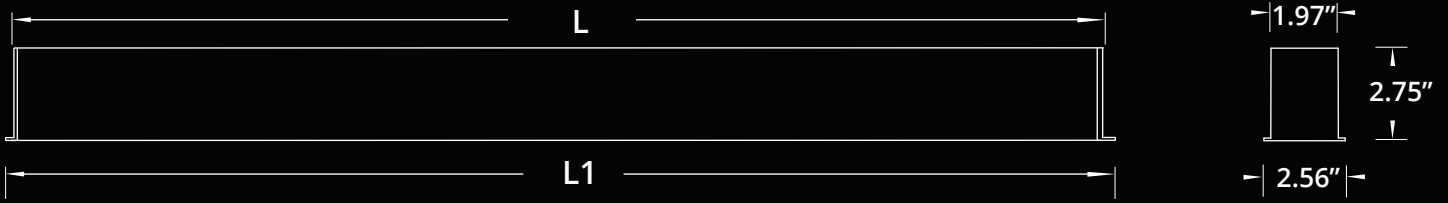
Watts	30K	35K	40K
5 W	515 lm	525 lm	535 lm
7 W	720 lm	735 lm	750 lm
10 W	1030 lm	1050 lm	1080 lm



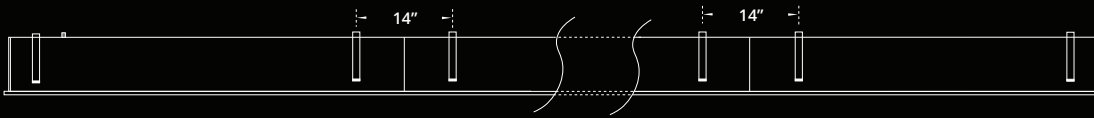
Project:

Type:

SIZE:

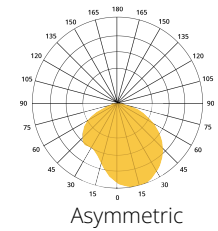
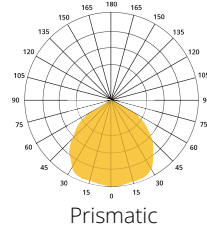
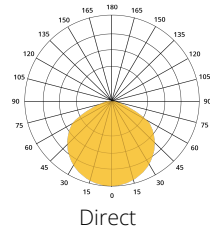


CONTINUOUS RUN:

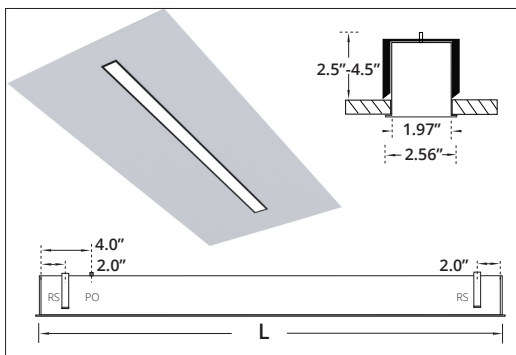


1. L-Total length for Drywall ceiling.
2. L1- Total length for T-Bar ceiling.

RADIANCE:



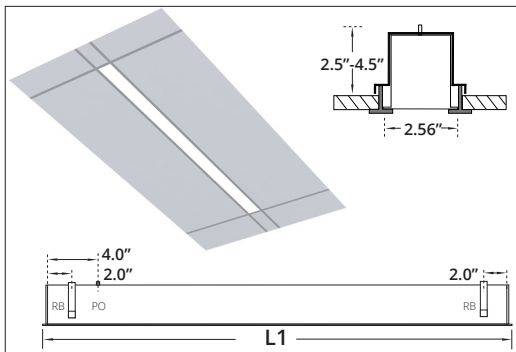
MOUNTING:



RECESSED
RS - Recessed Bracket
PO - Power Opening
Cutout Dimensions = Total Length x Width of Extrusion.

Size	L (Drywall Ceiling)
1 ft	11.34 in
2 ft	22.34 in
3 ft	33.34 in
4 ft	48.22 in
5 ft	59.22 in
6 ft	71.97 in
7 ft	82.97 in
8 ft	95.72 in

1. L is Total length with endcaps for Drywall Ceiling.
2. Cutout Dimensions = Total Length x Width of Extrusion.



RECESSED T-BAR
RB - Recessed T-BAR Bracket
PO - Power Opening

Size	L1 (T-Bar Ceiling)
1 ft	11.75 in
2 ft	23.75 in
3 ft	35.75 in
4 ft	47.75 in
5 ft	59.75 in
6 ft	71.75 in
7 ft	83.75 in
8 ft	95.75 in

L1 is Total length with endcaps for T-Bar Ceiling.